

Boston Insurance Specialists, Inc.
 31 Milk Street, Suite 405
 Boston, MA 02109

Policy No.: _____

Insured: _____

Agent: _____

Location of Risk: _____

**WOOD/COAL BURNING FACILITY
 QUESTIONNAIRE**

REQUIREMENTS

1. A photo of the wood/coal burning facility must be submitted with this Questionnaire.
2. Questionnaire and photo must be submitted with application for insurance.
3. Questionnaire must be inspected and signed by a licensed contractor or member of local fire department when facility is NOT factory installed or commercially installed by appliance distributor or licensed expert.

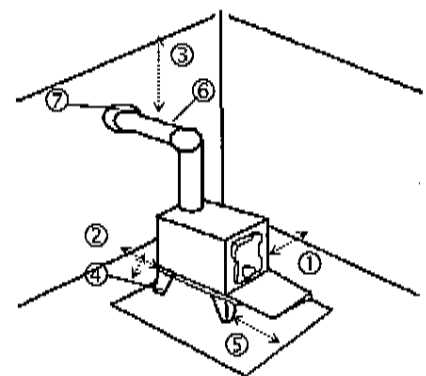
STOVE INFORMATION

TYPE	<input type="checkbox"/> Radiant <input type="checkbox"/> Circulating <input type="checkbox"/> Franklin <input type="checkbox"/> Other (specify):		
MAKE/NAME	By: _____	U.L. Approved? <input type="checkbox"/> Yes <input type="checkbox"/> No	
USE	<input type="checkbox"/> Primary Heat <input type="checkbox"/> Auxiliary Heat <input type="checkbox"/> Cooking <input type="checkbox"/> Other (specify):		
INSTALLED	By: _____	Date: _____	
FLOOR PROTECTION	<input type="checkbox"/> Asbestos Millboard Covered with Metal <input type="checkbox"/> Metal <input type="checkbox"/> Stone/Brick <input type="checkbox"/> Other (specify below)		
WALL PROTECTION	<input type="checkbox"/> Asbestos Millboard Covered with Metal <input type="checkbox"/> Metal <input type="checkbox"/> Asb. Millbrd <input type="checkbox"/> Other (specify below)		
CHIMNEY & STOVE PIPES	CHIMNEY TYPE: <input type="checkbox"/> Factory <input type="checkbox"/> Masonry <input type="checkbox"/> Other (describe):		
	How often checked for creosote build-up?		
	Date Last Cleaned: _____		By Whom? _____
	Does vent pass through a combustible partition? <input type="checkbox"/> Yes <input type="checkbox"/> No		
	If yes, is protection thimble or sleeve used? <input type="checkbox"/> Yes <input type="checkbox"/> No		
	Does pipe vent pass directly through the roof? <input type="checkbox"/> Yes <input type="checkbox"/> No		
	Are any other heating units vented to chimney? <input type="checkbox"/> Yes <input type="checkbox"/> No (describe below)		
Is stove vent system equipped with heat reclaiming unit or flue radiator? <input type="checkbox"/> Yes <input type="checkbox"/> No			

CLEARANCES

1. Side of unit to nearest wall _____ inches.
2. Rear of unit to wall _____ inches.
3. Top of stovepipe to ceiling _____ inches.
4. Bottom of unit to floor _____ inches.
5. Front of unit to front edge of floor protection _____ inches.
6. Size of stovepipe used _____ inches.
7. Size of thimble or roof joist shield _____ inches.

Do these distances comply with the manufacturer's standards? Yes No



MISCELLANEOUS

FUEL	<input type="checkbox"/> Wood <input type="checkbox"/> Coal <input type="checkbox"/> Other (specify):		
PREVENTION	Fire Extinguisher in Room? <input type="checkbox"/> Yes <input type="checkbox"/> No	Smoke Alarm? <input type="checkbox"/> Yes <input type="checkbox"/> No	

ADDITIONAL REMARKS: _____

Inspector Signature: _____ Date Inspected: _____

PHOTO MUST BE ATTACHED